

**CABO  
EW3612**

WALL

PROJECT



EW3612-GH  
Graphite

**SPECIFICATION DETAILS**

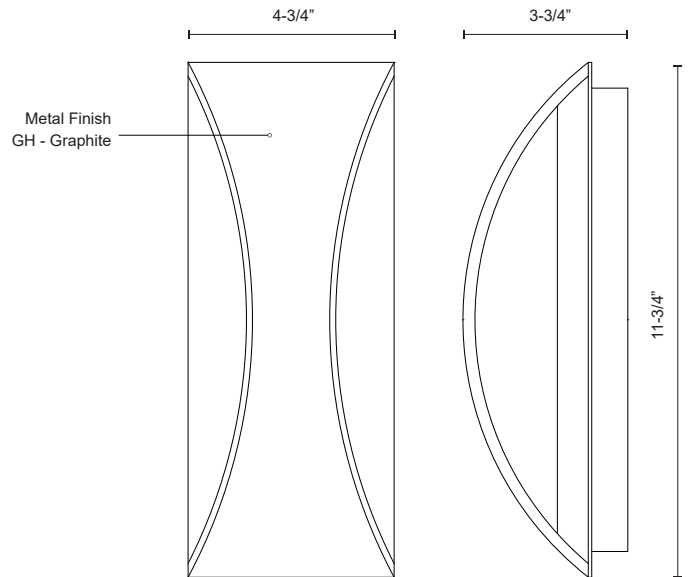
<b>Fixture Dimensions</b>	W11-3/4" x H4-3/4" x E3-3/4"
<b>Light Source</b>	AC LED Module
<b>Wattage</b>	9W
<b>Total Lumens</b>	600lm
<b>Delivered Lumens</b>	GH-287lm*
<b>Voltage</b>	120V
<b>Color Temperature</b>	3000K
<b>CRI (Ra)</b>	90CRI
<b>Optional Color Temps</b>	2700K - 5000K Available, Minimum Order Quantities Apply
<b>LED Rated Life</b>	50,000 hours
<b>Dimming</b>	100% - 10%, ELV Dimmer (Not Included)
<b>Glass Details</b>	Glass Diffuser
<b>ADA Compliant</b>	Yes
<b>Location</b>	Wet
<b>Illumination Direction</b>	Up and Down
<b>Mounting Style</b>	All Orientation; Wall;
<b>Paint Finish</b>	GH01

\* For custom options, consult factory for details.

\* For warranty information, please visit [www.kuzcolighting.com/warranty](http://www.kuzcolighting.com/warranty)

**DESCRIPTION**

High powered LED exterior single light wall mount fixture, with stylish relaxed arch design and available with two tone colors of inner white with graphite metal finish. Concealed inside is our 120V AC LED technology which radiates light either upward or downward depending how it is mounted on the wall. Can be mounted horizontal or vertical, certified ETL wet location listed and is available in two sizes.



**KUZCO**

CANADA: 19054 28TH AVENUE - SURREY, BC V3Z 6M3  
USA: 3035 E. LONE MOUNTAIN ROAD - LAS VEGAS, NV 89081

[WWW.KUZCOLIGHTING.COM](http://WWW.KUZCOLIGHTING.COM)

© 2016 KUZCO LIGHTING. ALL RIGHTS RESERVED.

**COMMENT**

